

DN	ØP	S	H	L	M	Peso gr Weight Gewicht	Conf. Box Packung
1/2"	15	60.5	52	91	15	205	100
3/4"	20	68.9	56	91	16.3	285	80
1"	25	80.4	66	120	19.1	540	48

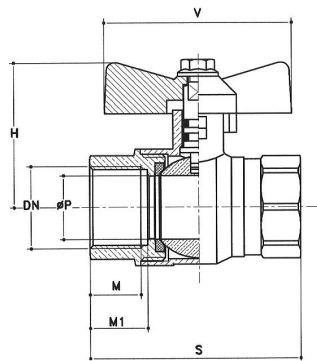
Valvola a sfera in ottone a passaggio totale F.F. Resistente al fuoco, 650°C-30'

Brass ball valve full bore F.F. High temperature resistance, 650°C-30'.



HTB 650 °C - 30'

220H



DN	ØP	S	H	V	M	Peso gr Weight Gewicht	Conf. Box Packung
1/2"	15	60.5	41	57	15	180	100
3/4"	20	68.9	44	57	16.3	265	80
1"	25	80.4	59	65	19.1	490	48

Valvola a sfera in ottone a passaggio totale F.F., con farfalla. Resistente al fuoco, 650°C-30'

Brass ball valve full bore F.F. with butterfly handle. High temperature resistance, 650°C-30'.



HTB 650 °C - 30'

221H