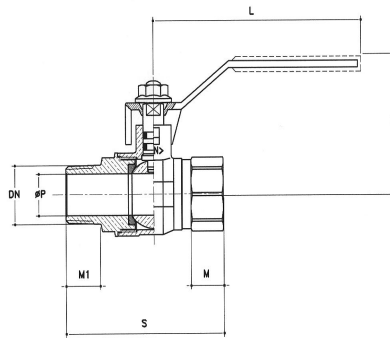
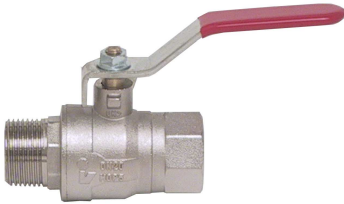


DN	ØP	S	H	L	M	Peso gr Weight	Conf. Box
1/4"	10	45	45	88	12	145	100
3/8"	10	45	45	88	12	130	100
1/2"	15	60.5	52	88	17	200	100
3/4"	20	68.9	56	88	18.5	285	80
1"	25	80.4	66	115	20.5	525	48
1 1/4"	32	93	71	115	22.3	750	20
1 1/2"	40	103	75	115	23.2	1020	15
2"	50	125	95	145	27.3	1740	10

Valvola a sfera in ottone a passaggio totale F.F. con stelo antiscoppio. **Leva acciaio inox.**

*Brass ball valve full bore F.F. with anti-burst stem. **Stainless steel handle.***

2201



DN	ØP	S	H	L	M	Peso gr Weight	Conf. Box
1/4"	10	51	45	88	12	145	100
3/8"	10	51	45	88	12	130	100
1/2"	15	68	52	88	17	205	100
3/4"	20	75.5	56	88	18.5	305	80
1"	25	87.8	66	115	20.5	550	40
1 1/4"	32	99.5	71	115	22.3	785	20
1 1/2"	40	112	75	115	23.2	1030	15
2"	50	134	95	145	27.3	1785	10

Valvola a sfera in ottone a passaggio totale M.F. con stelo antiscoppio. **Leva acciaio inox.**

*Brass ball valve full bore M.F. with anti-burst stem. **Stainless steel handle.***

2221