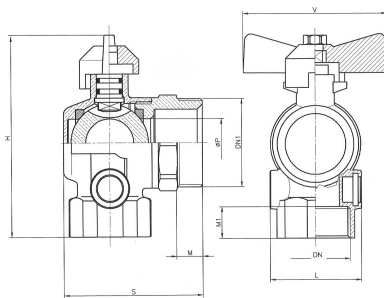




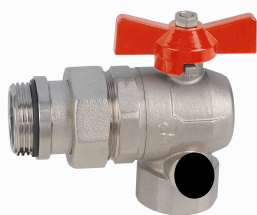
Valvola a sfera ad angolo in ottone M.F., tasca porta termometro, maniglia ROSSA/BLU

Angle brass ball valve M.F.,with thermometer connection, RED/BLUE butterfly handle



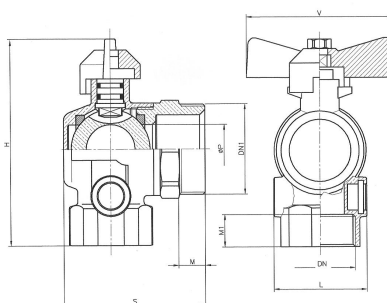
DN-DN1	ØP	S	H	L	M-M1	Peso gr Weight	v
3/4"- 1"	18.5	53	83	41	13-10	315	57
1" - 1"1/4	23	66	94	44	12-15	510	65
1" - 1"1/2	23	66	94	44	13-15	515	65

535R/B



Valvola a sfera ad angolo in ottone M.F. con raccordo tenuta O-ring. , tasca porta termometro, maniglia ROSSA/BLU.

Angle brass ball valve M.F.,O-ring union joint with thermometer connection, RED/BLUE butterfly handle.



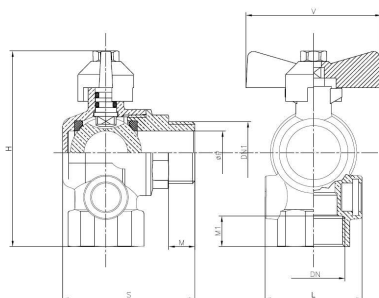
DN-DN1	ØP	S	H	L	M-M1	Peso gr Weight	v
3/4"- 3/4"	18.5	85	83	41	13-10	420	57
1" - 1"	23	94	94	44	12-15	670	65
1" - 1"1/4	23	103	94	44	13-15	775	65

535DR/B



Valvola a sfera ad angolo in ottone M.F. , tasca porta termometro, maniglia ROSSA/BLU.

Angle brass ball valve M.F.,with thermometer connection, RED/BLUE butterfly handle.



DN-DN1	ØP	S	H	L	M-M1	Peso gr Weight	v
3/4"- 3/4"	18.5	53	83	41	13-10	320	57
1" - 1"	23	66	94	44	12-15	485	65

537R/B



Caratteristiche del termometro

Thermometer characteristics

Movimento a spirale bimetallico di precisione. Rilevazione della temperatura ad induzione/contatto. **Scala graduate: 0° - 120°C.**

Bimetallic spring precision motion. Temperature survey by induction/contact. **Graduated scale: 0° - 120°C.**

80041005530