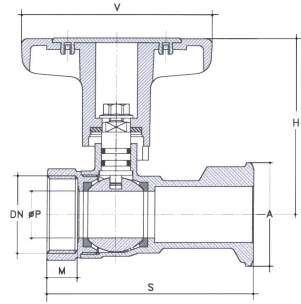


DN - A	ØP	S	H	V	M	Peso gr Weight gr	Conf. Box
1" - 1"1/2	20	88,5	75,3	84	13	460	40
1"1/4 - 1"1/2	20	91,5	75,3	84	14	504	32
1"1/4 - 2"	25	109.5	82.5	84	16	760	--

Valvola a sfera in ottone attacco pompa con ritegno ed escludore.

Brass ball valve pumping connection with non-return and on/off rot.

556

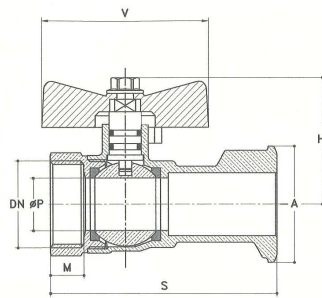
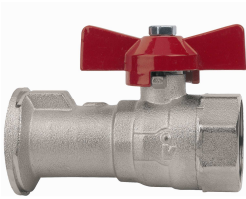


DN - A	ØP	S	H	V	M	Peso gr Weight gr	Conf. Box
1" - 1"1/2	20	88,5	75,3	84	13	405	40
1"1/4 - 1"1/2	20	91,5	75,3	84	14	449	32
1"1/4 - 2"	25	109.5	82.5	84	16	735	--

Valvola a sfera in ottone attacco pompa.

Brass ball valve pumping connection.

555

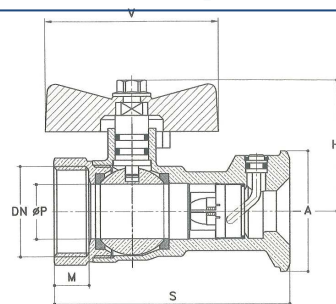
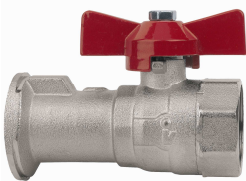


DN - A	ØP	S	H	V	M	Peso gr Weight gr	Conf. Box
1" - 1"1/2	20	88,5	48	65	13	390	40
1"1/4 - 1"1/2	20	91,5	48	65	14	434	32
1"1/4 - 2"	25	109.5	55.2	65	16	720	--

Valvola a sfera in ottone attacco pompa con leva a farfalla.

Brass ball valve pumping connection with butterfly handle.

555/F



DN - A	ØP	S	H	V	M	Peso gr Weight gr	Conf. Box
1" - 1"1/2	20	88,5	48	65	13	445	40
1"1/4 - 1"1/2	20	91,5	48	65	14	489	32
1"1/4 - 2"	25	109.5	55.2	65	16	745	--

Valvola a sfera in ottone attacco pompa con ritegno ed escludore con leva a farfalla.

Brass ball valve pumping connection with non-return and on/off rot with butterfly handle.

556/F